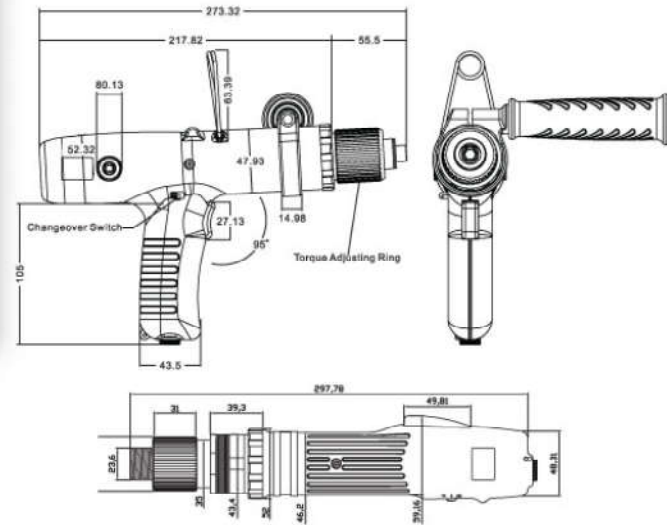


**SKD-TBN/RBN/BN900 Series** [SKD-TBN60L, SKD-TBN90L, SKD-TBN120L, SKD-TBN180L] [SKD-RBN250L/P, SKD-RBN350L/P, SKD-RBN500L/P] [SKD-RBN60L/P, SKD-RBN90L/P, SKD-RBN120L/P, SKD-RBN180L/P] [SKD-BN960L/P, SKD-BN990L/P, SKD-BN9120L/P]

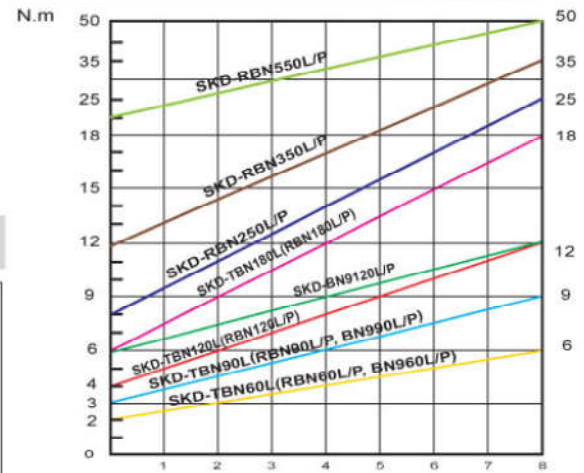


- Whole series use brushless motor, no carbon pollution, and low noise motor operation. It is the best fit for assembling power torque products.
- Assemble large-sized LED/LCD panel and home appliances. Tools can be hanged with spring balancer to lessen work fatigue.
- SKD-TBN series torque range can reach up to 2~18 N.m ; SKD-RBN series torque range can reach up to 2~50 N.m. High accuracy and stable torque output can replace pneumatic screwdriver to avoid unstable torque due to the fluctuation of the air pressure. Also can prevent oil and noise pollution and achieve energy saving and more Eco-friendly.
- SKD-RBN series must be collaborated with Auxiliary Arm and SKD-TBN series must be equipped with side handle, which can increase stable torque output, torque precision, and easier for user to operate.
- Suitable for assembling large-scale work pieces in semi-automatic or full automatic assembly line. In particular, the most suitable for applications such as automotive industrial parts assembly, air conditioning, electricity, telecommunications, large appliances and medical equipment assembly.
- Highly mobility, easy to operate, stable torque, high efficiency. Motor can be free from fatigue under long-working hours.

**External Dimension**



**Torque Range Chart**



**Accessories**



**Specifications**

Model	SKD-RBN60L SKD-RBN60P	SKD-RBN90L SKD-RBN90P	SKD-RBN120L SKD-RBN120P	SKD-RBN180L SKD-RBN180P	SKD-RBN250L SKD-RBN250P	SKD-RBN350L SKD-RBN350P	SKD-RBN500L SKD-RBN500P	SKD-TBN60L	SKD-TBN90L	SKD-TBN120L	SKD-TBN180L	SKD-BN960L SKD-BN960P	SKD-BN990L SKD-BN990P	SKD-BN9120L SKD-BN9120P	
Input Voltage	DC40V														
Power Consumption	100W	120W	120W	200W	260W	260W	260W	100W	120W	120W	200W				
Torque (N.m)	2~6	3~9	4~12	6~18	8~25	12~35	20~50	2~6	3~9	4~12	6~18	2~6	3~9	6~12	
Repeatable Torque Accuracy(%)	±5%											±5%			
Torque Adjustment	Stepless											Stepless			
Free Speed (r.p.m)	HI		LO												
Free Speed (r.p.m)	1000	800	550	350	550	350	200	1000	800	550	350	2200	1000	880	
Screw Size Dia (mm)	Machine Screw	4.0~5.0	5.0~6.0	≤8	≤10	≤8	≤10	≤12	4.0~5.0	5.0~6.0	≤8	≤10	4.0~5.0	≤6	≤8
	Tapping Screw	≤4	≤4.5	≤6	≤8	≤6	≤8	≤10	≤4	≤4.5	≤6	≤8	≤4	≤5	≤6
Weight(kg)	1.25				1.45			1.20				1.03			
Length(mm)	298				298			274X160				360			
ESD(Anti-Static)	✓ (with black housing)				-			-				✓ (with black housing)			
CE	✓				-			✓				✓			
RoHS	✓				-			✓				✓			
Auxiliary Arm	✓				-			-				✓			
Handle Grip	✓														
Power Controller	SKP-40B-HL-800														

